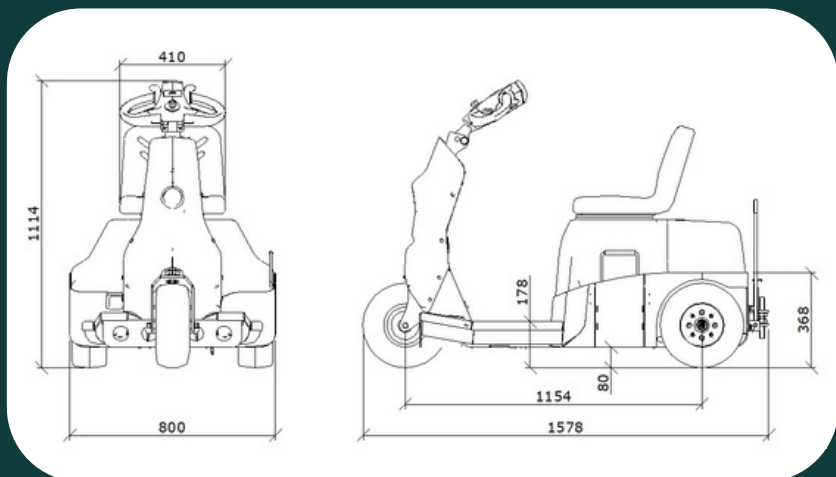


E-Nova

technical specifications



Manufacturer	Metazet B.V.
Turning circle	2050 mm
Water tightness	IP21
Towing weight	3000 Kg [according to VDI 2198]
Vehicle weight (excl. battery)	223,4 Kg
Material	Steel
After treatment	Powdercoating
Max forward speed [turtle] / eco	6 Km/h
Max. forward speed [hare]	11 Km/h
Max. speed reverse [turtle] / eco	3 Km/h
Max. speed backwards [hare]	6 Km/h
Time to reach max. speed	3 sec
Pallet dimensions	1500 x 800
Motor type	AC motor
Driver	Transaxle
Power	1500 W
Battery type	Lithium
Battery voltage	24 V
Battery capacity	80 Ah
Battery weight	20 Kg
Battery charger type	High frequency
Battery charger input voltage	110/230 V
Battery charger output voltage	24 V
Battery charger output power	12 A
Controls	Programable AC controller
Max. voltage	24 V
Control max. power	200 A
Max. driver weight	125 Kg
Load bearing capacity (evenly distributed)	40 Kg
Brakes	Electric brake

metazet™

TECRAM

Route d'Yverdon 34 · CH-1373 Chavornay · +41 24 441 42 40 · info@tecrum.ch · www.tecrum.ch

metazet.com