

STP01-RRH01-SS-Ex

SWL - 300kg

CLEAN STAINLESS STEEL
CONSTRUCTION WITH A
BEAD BLASTED FINISH

PNEUMATIC POWERED
HYDRAULIC LIFT
AND LOWER

CLEAR ANTI-STATIC
POLYCARBONATE
GUARDING

HYDRAULIC POWERED
CLAMP AND 360
DEGREE ROTATION

3 FUNCTION
CONTROL BOX

850mm STRADDLE LEGS

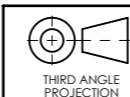
160mm ANTI-STATIC CASTORS
WITH PARKING BRAKES

160mm ANTI-STATIC
FRONT WHEELS

EARTHING CHAINS



Route d'Yverdon 34 · CH-1373 Chavornay
+41 24 441 42 40 · info@tecram.ch · www.tecram.ch



ALL DIMENSIONS
IN mm U.O.S
DO NOT SCALE



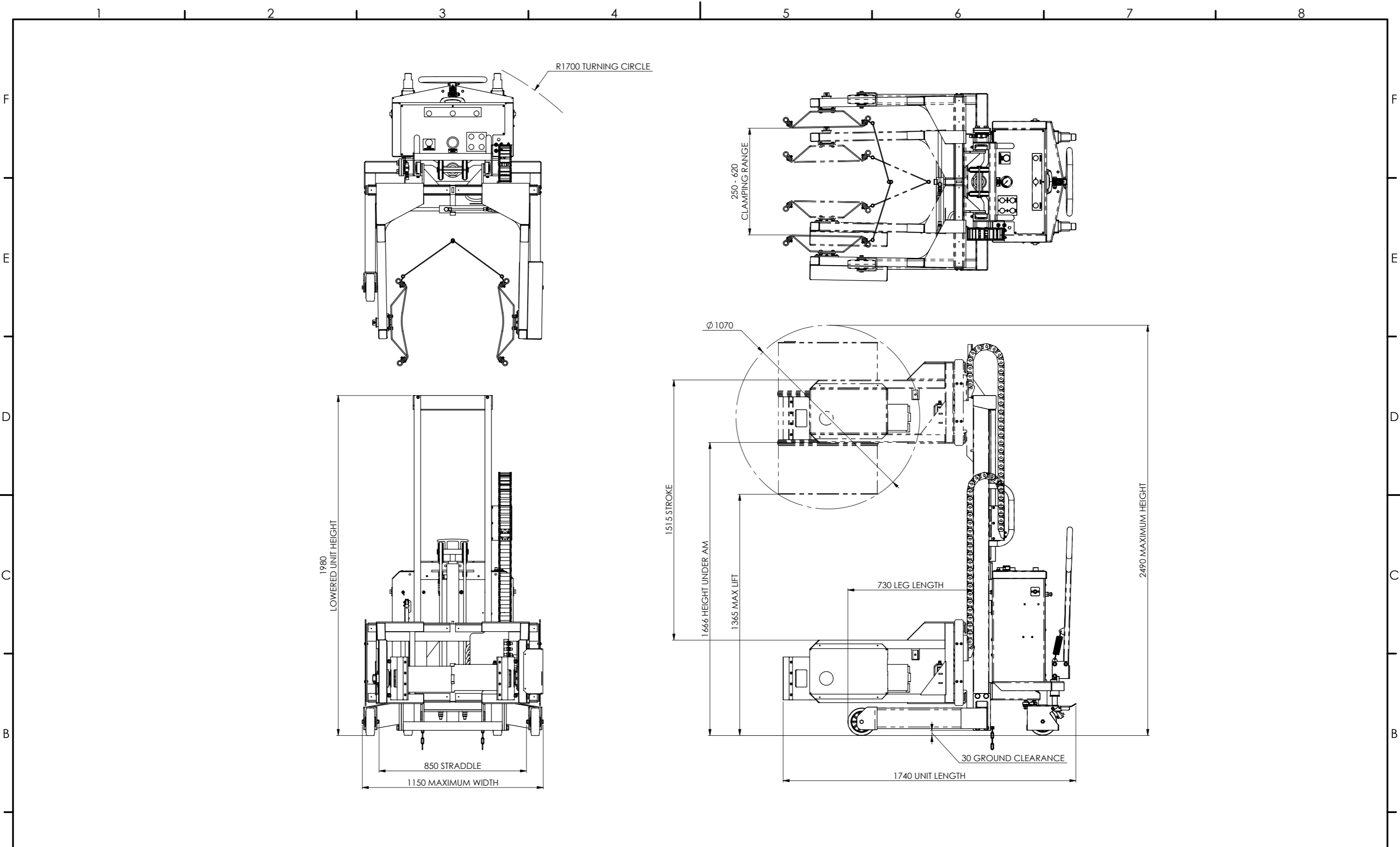
BESPOKE HANDLING EQUIPMENT LTD
LEEDSTOWN, CORNWALL, TR27 6DS
TEL: +44 1736 85 10 50 FAX: +44 1736 85 10 23
E-MAIL: SALES@STIS-TROLLEYS.CO.UK
WWW: HTTPS://WWW.STIS-TROLLEYS.CO.UK

DESCRIPTION:
STP01-RRH01-SS-EX, STAINLESS STEEL PNEUMATIC STACKER WITH
POWERED CLAMP AND ROTATE HEAD

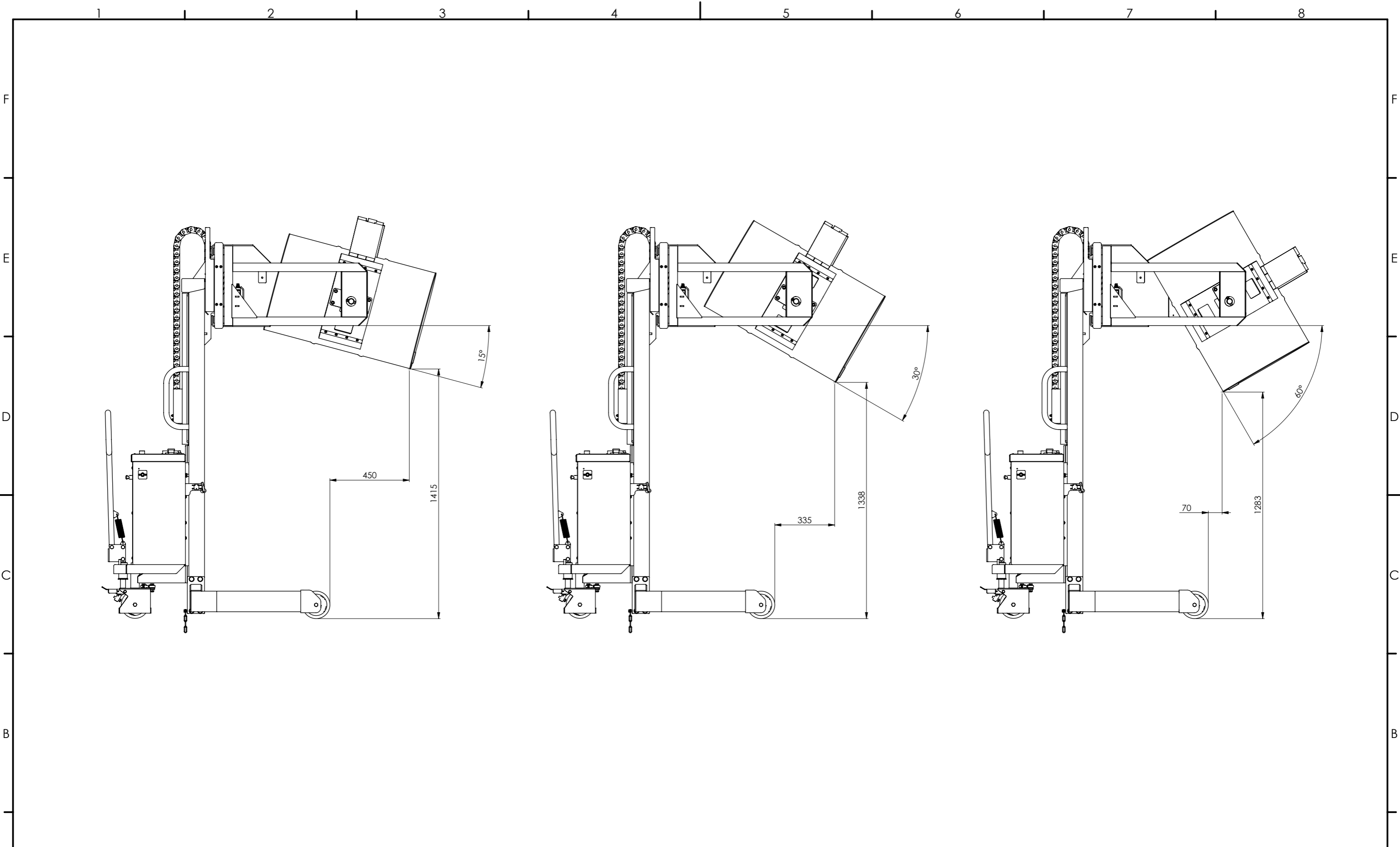
CUSTOMER APPROVAL:
NAME:
SIGNATURE:
DATE:

THIS DOCUMENT AND ALL THE INFORMATION CONTAINED HEREIN ARE CONFIDENTIAL AND EXCLUSIVE PROPERTY OF STS BESPOKE HANDLING EQUIPMENT AND MAY NOT BE REPRODUCED, USED, DISCLOSED OR MADE PUBLIC IN ANY MANNER PRIOR TO EXPRESS WRITTEN AUTHORIZATION BY STS BESPOKE HANDLING EQUIPMENT.
THIS DOCUMENT IS ACCEPTED PURSUANT TO AGREEMENT TO THE FOREGOING, AND MUST BE RETURNED OR DESTROYED UPON DEMAND.
MANUFACTURER AGREES THAT ARTICLES MADE IN ACCORDANCE WITH THIS DOCUMENT SHALL BE CONSIDERED STS BESPOKE HANDLING EQUIPMENT'S DESIGN AND THAT IDENTICAL ARTICLES OR PARTS THEREOF SHALL NOT BE MANUFACTURED FOR THE USE OR SALE BY THE MANUFACTURER OR ANY OTHER PERSON OR ENTITY WITHOUT PRIOR EXPRESS WRITTEN AUTHORIZATION BY STS BESPOKE HANDLING EQUIPMENT.

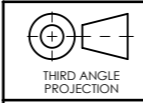
SHEET NO: 1 OF 5
DRAWN BY: JC
SHEET SIZE: A3
PART NUMBER:
019687



<p>THIRD ANGLE PROJECTION</p>	<p>ALL DIMENSIONS IN mm U.O.S</p> <p>DO NOT SCALE</p>	<p>DESCRIPTION: STP01-RRH01-SS-EX, STAINLESS STEEL PNEUMATIC STACKER WITH POWERED CLAMP AND ROTATE HEAD</p>	<p>SHEET NO: 2 OF 5</p>
	<p>BESPOKE HANDLING EQUIPMENT LTD LEEDSTOWN, CORNWALL, TR27 6DS TEL: +44 1736 85 10 50 FAX: +44 1736 85 10 23 E-MAIL: SALES@STIS-TROLLEYS.CO.UK WWW: HTTPS://WWW.STIS-TROLLEYS.CO.UK</p>		<p>DRAWN BY: JC</p>
<p>CUSTOMER APPROVAL:</p> <p>NAME:</p> <p>SIGNATURE:</p> <p>DATE:</p>		<p>THIS DOCUMENT AND ALL THE INFORMATION CONTAINED HEREIN ARE CONFIDENTIAL AND EXCLUSIVE PROPERTY OF STS BESPOKE HANDLING EQUIPMENT AND MAY NOT BE REPRODUCED, USED, DISCLOSED OR MADE PUBLIC IN ANY MANNER PRIOR TO EXPRESS WRITTEN AUTHORIZATION BY STS BESPOKE HANDLING EQUIPMENT. THIS DOCUMENT IS ACCEPTED PURSUANT TO AGREEMENT TO THE FOREGOING, AND MUST BE RETURNED OR DESTROYED UPON DEMAND. MANUFACTURER AGREES THAT ARTICLES MADE IN ACCORDANCE WITH THIS DOCUMENT SHALL BE CONSIDERED STS BESPOKE HANDLING EQUIPMENT'S DESIGN AND THAT IDENTICAL ARTICLES OR PARTS THEREOF SHALL NOT BE MANUFACTURED FOR THE USE OR SALE BY THE MANUFACTURER OR ANY OTHER PERSON OR ENTITY WITHOUT PRIOR EXPRESS WRITTEN AUTHORIZATION BY STS BESPOKE HANDLING EQUIPMENT.</p>	<p>SHEET SIZE: A3</p>
			<p>PART NUMBER: 019687</p>




TECRAM
 Route d'Yverdon 34 · CH-1373 Chavornay
 +41 24 441 42 40 · info@tecram.ch · www.tecram.ch



ALL DIMENSIONS
 IN mm U.O.S
 DO NOT SCALE



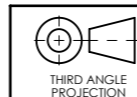
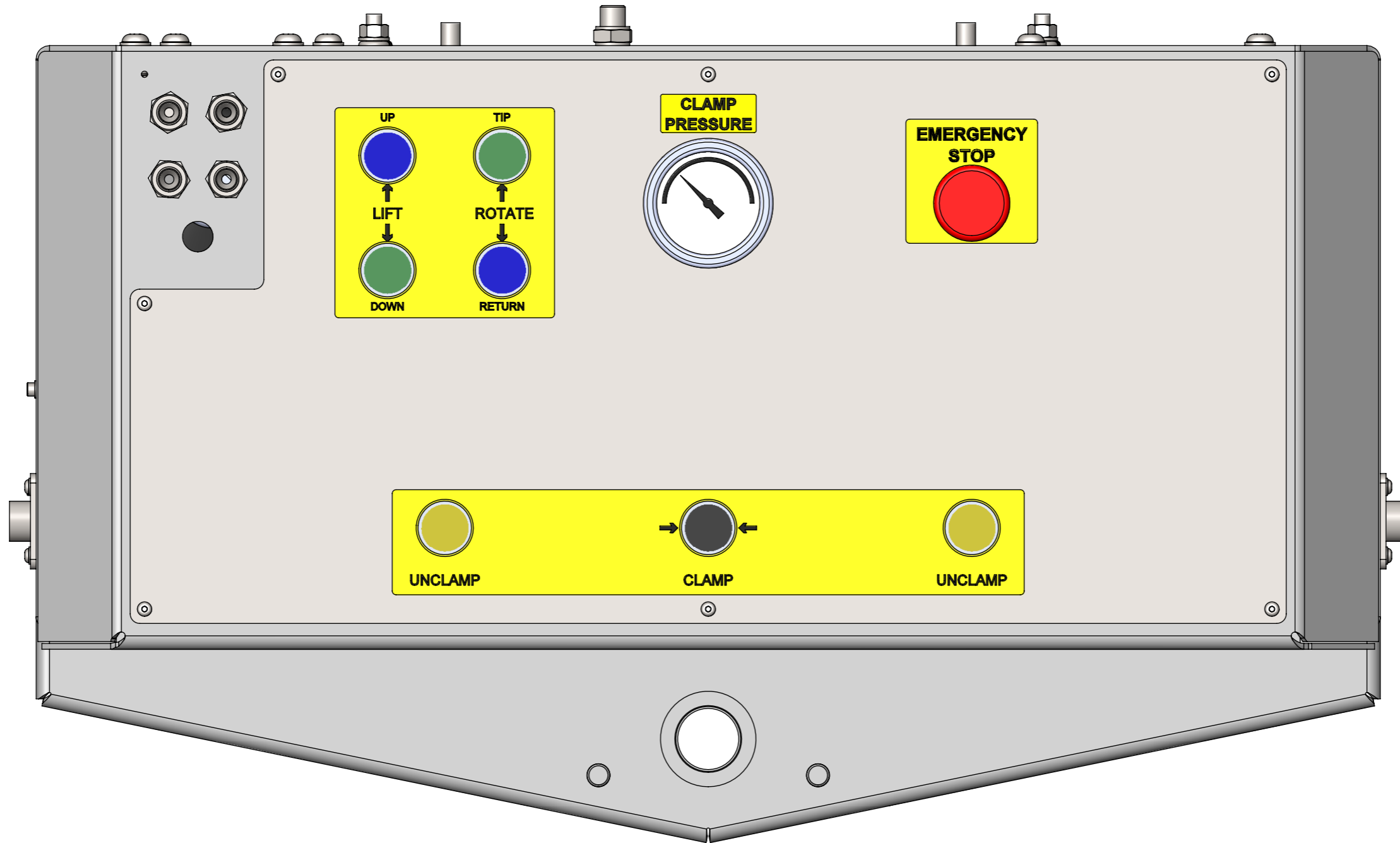
STS
 BESPOKE HANDLING EQUIPMENT LTD
 LEEDSTOWN, CORNWALL, TR27 6DS
 TEL: +44 1736 85 10 50 FAX: +44 1736 85 10 23
 E-MAIL: SALES@STS-TROLLEYS.CO.UK
 WWW: HTTPS://WWW.STS-TROLLEYS.CO.UK

DESCRIPTION:
 STP01-RRH01-SS-EX, STAINLESS STEEL PNEUMATIC STACKER WITH
 POWERED CLAMP AND ROTATE HEAD

CUSTOMER APPROVAL:
 NAME:
 SIGNATURE:
 DATE:

THIS DOCUMENT AND ALL THE INFORMATION CONTAINED HEREIN ARE CONFIDENTIAL AND EXCLUSIVE PROPERTY OF STS BESPOKE HANDLING EQUIPMENT AND MAY NOT BE REPRODUCED, USED, DISCLOSED OR MADE PUBLIC IN ANY MANNER PRIOR TO EXPRESS WRITTEN AUTHORIZATION BY STS BESPOKE HANDLING EQUIPMENT.
 THIS DOCUMENT IS ACCEPTED PURSUANT TO AGREEMENT TO THE FOREGOING, AND MUST BE RETURNED OR DESTROYED UPON DEMAND.
 MANUFACTURER AGREES THAT ARTICLES MADE IN ACCORDANCE WITH THIS DOCUMENT SHALL BE CONSIDERED STS BESPOKE HANDLING EQUIPMENT'S DESIGN AND THAT IDENTICAL ARTICLES OR PARTS THEREOF SHALL NOT BE MANUFACTURED FOR THE USE OR SALE BY THE MANUFACTURER OR ANY OTHER PERSON OR ENTITY WITHOUT PRIOR EXPRESS WRITTEN AUTHORIZATION BY STS BESPOKE HANDLING EQUIPMENT.

SHEET NO:	3 OF 5
DRAWN BY:	JC
SHEET SIZE:	A3
PART NUMBER:	019687



ALL DIMENSIONS
 IN mm U.O.S
 DO NOT SCALE



DESCRIPTION:
 STP01-RRH01-SS-EX, STAINLESS STEEL PNEUMATIC STACKER WITH
 POWERED CLAMP AND ROTATE HEAD

CUSTOMER APPROVAL:
 NAME:
 SIGNATURE:
 DATE:

THIS DOCUMENT AND ALL THE INFORMATION CONTAINED HEREIN ARE CONFIDENTIAL AND EXCLUSIVE PROPERTY OF STS BESPOKE HANDLING EQUIPMENT AND MAY NOT BE REPRODUCED, USED, DISCLOSED OR MADE PUBLIC IN ANY MANNER PRIOR TO EXPRESS WRITTEN AUTHORIZATION BY STS BESPOKE HANDLING EQUIPMENT.
 THIS DOCUMENT IS ACCEPTED PURSUANT TO AGREEMENT TO THE FOREGOING, AND MUST BE RETURNED OR DESTROYED UPON DEMAND.
 MANUFACTURER AGREES THAT ARTICLES MADE IN ACCORDANCE WITH THIS DOCUMENT SHALL BE CONSIDERED STS BESPOKE HANDLING EQUIPMENT'S DESIGN AND THAT IDENTICAL ARTICLES OR PARTS THEREOF SHALL NOT BE MANUFACTURED FOR THE USE OR SALE BY THE MANUFACTURER OR ANY OTHER PERSON OR ENTITY WITHOUT PRIOR EXPRESS WRITTEN AUTHORIZATION BY STS BESPOKE HANDLING EQUIPMENT.

SHEET NO: 4 OF 5
 DRAWN BY: JC
 SHEET SIZE: A3
 PART NUMBER:
 019687