

STE05-RRH01

SWL - 300kg

CLEAR POLYCARBONATE GUARDING

HYDRAULIC POWERED DRUM CLAMP AND 360 DEGREE ROTATION HEAD

CLEAN MILD STEEL CONSTRUCTION, SHOT BLASTED, ZINC PRIMER AND POWDERCOATED FINISH

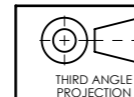
TILLER WITH THROTTLE, LIFT/LOWER CONTROLS AND ANTI-TRAP SWITCH

ELECTRIC POWERDRIVE REAR STEERING

160MM FRONT WHEELS



TECRAM
Route d'Yverdon 34 · CH-1373 Chavornay
+41 24 441 42 40 · info@tecram.ch · www.tecram.ch



ALL DIMENSIONS IN mm U.O.S
DO NOT SCALE



BESPOKE HANDLING EQUIPMENT LTD
LEEDSTOWN, CORNWALL, TR27 6DS
TEL: +44 1736 85 10 50 FAX: +44 1736 85 10 23
E-MAIL: SALES@STS-TROLLEYS.CO.UK
WWW: HTTPS://WWW.STS-TROLLEYS.CO.UK

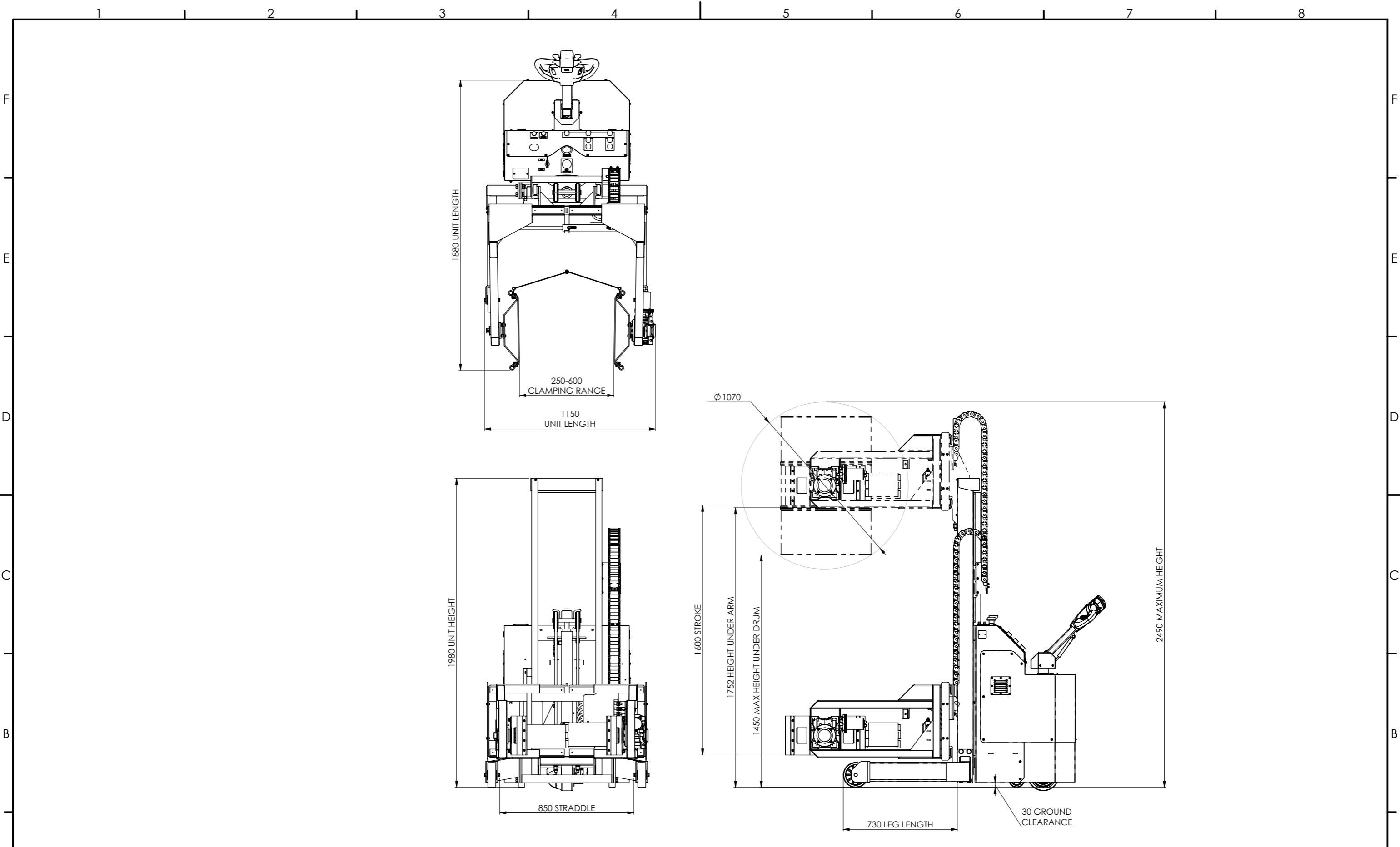
CUSTOMER APPROVAL:
NAME:
SIGNATURE:
DATE:

THIS DOCUMENT AND ALL THE INFORMATION CONTAINED HEREIN ARE CONFIDENTIAL AND EXCLUSIVE PROPERTY OF STS BESPOKE HANDLING EQUIPMENT AND MAY NOT BE REPRODUCED, USED, DISCLOSED OR MADE PUBLIC IN ANY MANNER PRIOR TO EXPRESS WRITTEN AUTHORIZATION BY STS BESPOKE HANDLING EQUIPMENT.
THIS DOCUMENT IS ACCEPTED PURSUANT TO AGREEMENT TO THE FOREGOING, AND MUST BE RETURNED OR DESTROYED UPON DEMAND.
MANUFACTURER AGREES THAT ARTICLES MADE IN ACCORDANCE WITH THIS DOCUMENT SHALL BE CONSIDERED STS BESPOKE HANDLING EQUIPMENT'S DESIGN AND THAT IDENTICAL ARTICLES OR PARTS THEREOF SHALL NOT BE MANUFACTURED FOR THE USE OR SALE BY THE MANUFACTURER OR ANY OTHER PERSON OR ENTITY WITHOUT PRIOR EXPRESS WRITTEN AUTHORIZATION BY STS BESPOKE HANDLING EQUIPMENT.

CATEGORY: ASSEMBLY
MATERIAL SPEC:
FINISH: N/A

DESCRIPTION: STE05-RRH01, POWERDRIVE STACKER WITH POWERED CLAMP AND 360 DEGREE ROTATE HEAD

SHEET NO: 1 OF 6	DRAWN BY: JC
EST MASS: 512.77kg	CHECKED BY: JC
SHEET SIZE: A3	DATE CHK: 08/03/2021
PART NUMBER: 017808	REVISION: A




TECRAM
 Route d'Yverdon 34 · CH-1373 Chavornay
 +41 24 441 42 40 · info@tecram.ch · www.tecram.ch



ALL DIMENSIONS
 IN mm U.O.S
 DO NOT SCALE



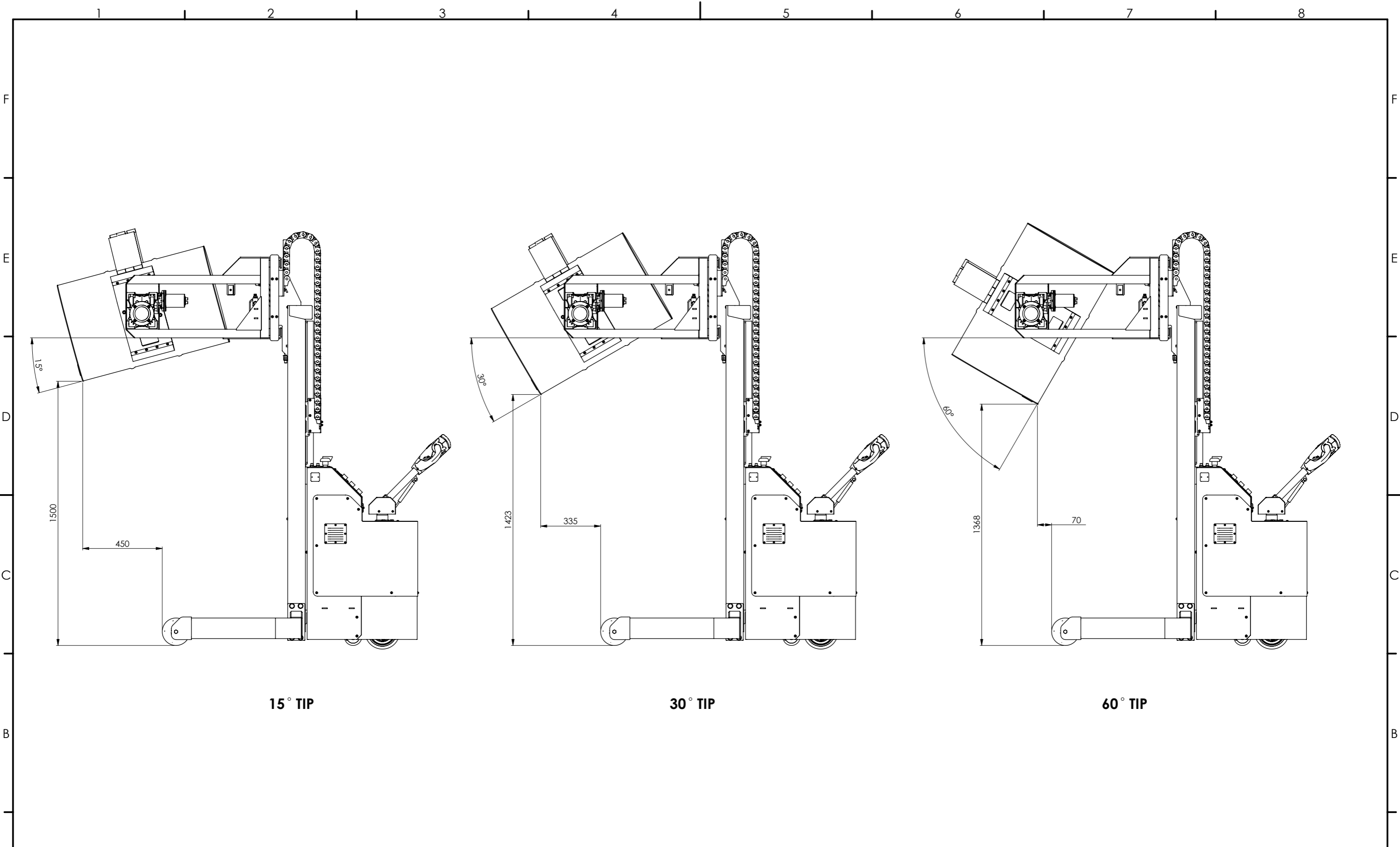
STS
 BESPOKE HANDLING EQUIPMENT LTD
 LEEDSTOWN, CORNWALL, TR27 6DS
 TEL: +44 1736 85 10 50 FAX: +44 1736 85 10 23
 E-MAIL: SALES@STS-TROLLEYS.CO.UK
 WWW: HTTPS://WWW.STS-TROLLEYS.CO.UK

CUSTOMER APPROVAL:
 NAME:
 SIGNATURE:
 DATE:

THIS DOCUMENT AND ALL THE INFORMATION CONTAINED HEREIN ARE CONFIDENTIAL AND EXCLUSIVE PROPERTY OF STS BESPOKE HANDLING EQUIPMENT AND MAY NOT BE REPRODUCED, USED, DISCLOSED OR MADE PUBLIC IN ANY MANNER PRIOR TO EXPRESS WRITTEN AUTHORIZATION BY STS BESPOKE HANDLING EQUIPMENT.
 THIS DOCUMENT IS ACCEPTED PURSUANT TO AGREEMENT TO THE FOREGOING, AND MUST BE RETURNED OR DESTROYED UPON DEMAND.
 MANUFACTURER AGREES THAT ARTICLES MADE IN ACCORDANCE WITH THIS DOCUMENT SHALL BE CONSIDERED STS BESPOKE HANDLING EQUIPMENT'S DESIGN AND THAT IDENTICAL ARTICLES OR PARTS THEREOF SHALL NOT BE MANUFACTURED FOR THE USE OR SALE BY THE MANUFACTURER OR ANY OTHER PERSON OR ENTITY WITHOUT PRIOR EXPRESS WRITTEN AUTHORIZATION BY STS BESPOKE HANDLING EQUIPMENT.

CATEGORY: ASSEMBLY
 MATERIAL SPEC:
 FINISH: N/A
 DESCRIPTION: STE05-RRH01, POWERDRIVE STACKER WITH POWERED CLAMP AND 360 DEGREE ROTATE HEAD

SHEET NO: 2 OF 6	DRAWN BY: JC
EST MASS: 512.77kg	CHECKED BY: JC
SHEET SIZE: A3	DATE CHK: 08/03/2021
PART NUMBER: 017808	REVISION: A



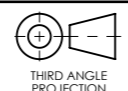
15 ° TIP

30 ° TIP

60 ° TIP




TECRAM
 Route d'Yverdon 34 · CH-1373 Chavornay
 +41 24 441 42 40 · info@tecram.ch · www.tecram.ch



THIRD ANGLE PROJECTION

ALL DIMENSIONS IN mm U.O.S
 DO NOT SCALE



STN
 BESPOKE HANDLING EQUIPMENT LTD
 LEEDSTOWN, CORNWALL, TR27 6DS
 TEL: +44 1736 85 10 50 FAX: +44 1736 85 10 23
 E-MAIL: SALES@STS-TROLLEYS.CO.UK
 WWW: HTTPS://WWW.STS-TROLLEYS.CO.UK

CUSTOMER APPROVAL:

NAME:

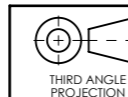
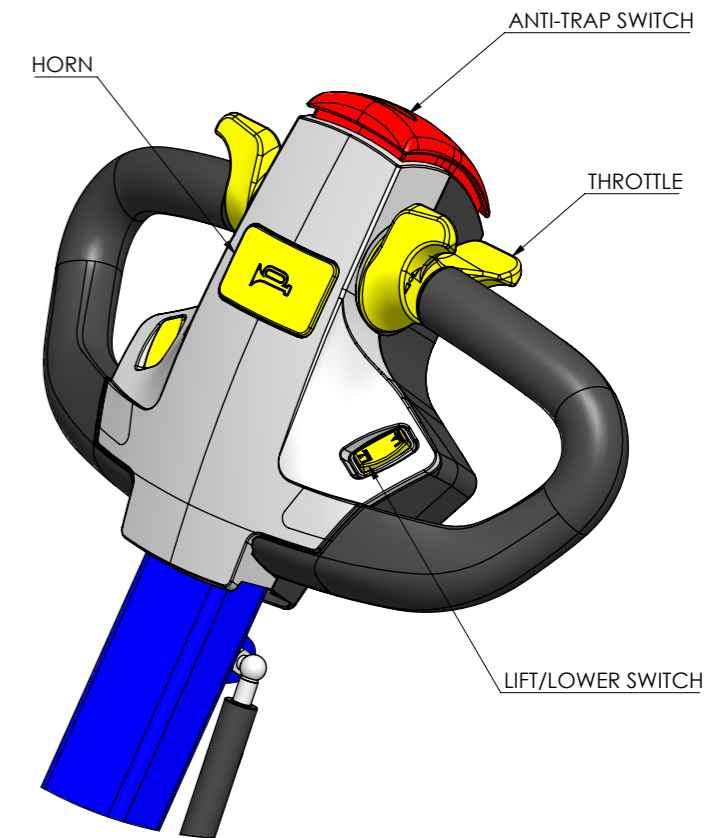
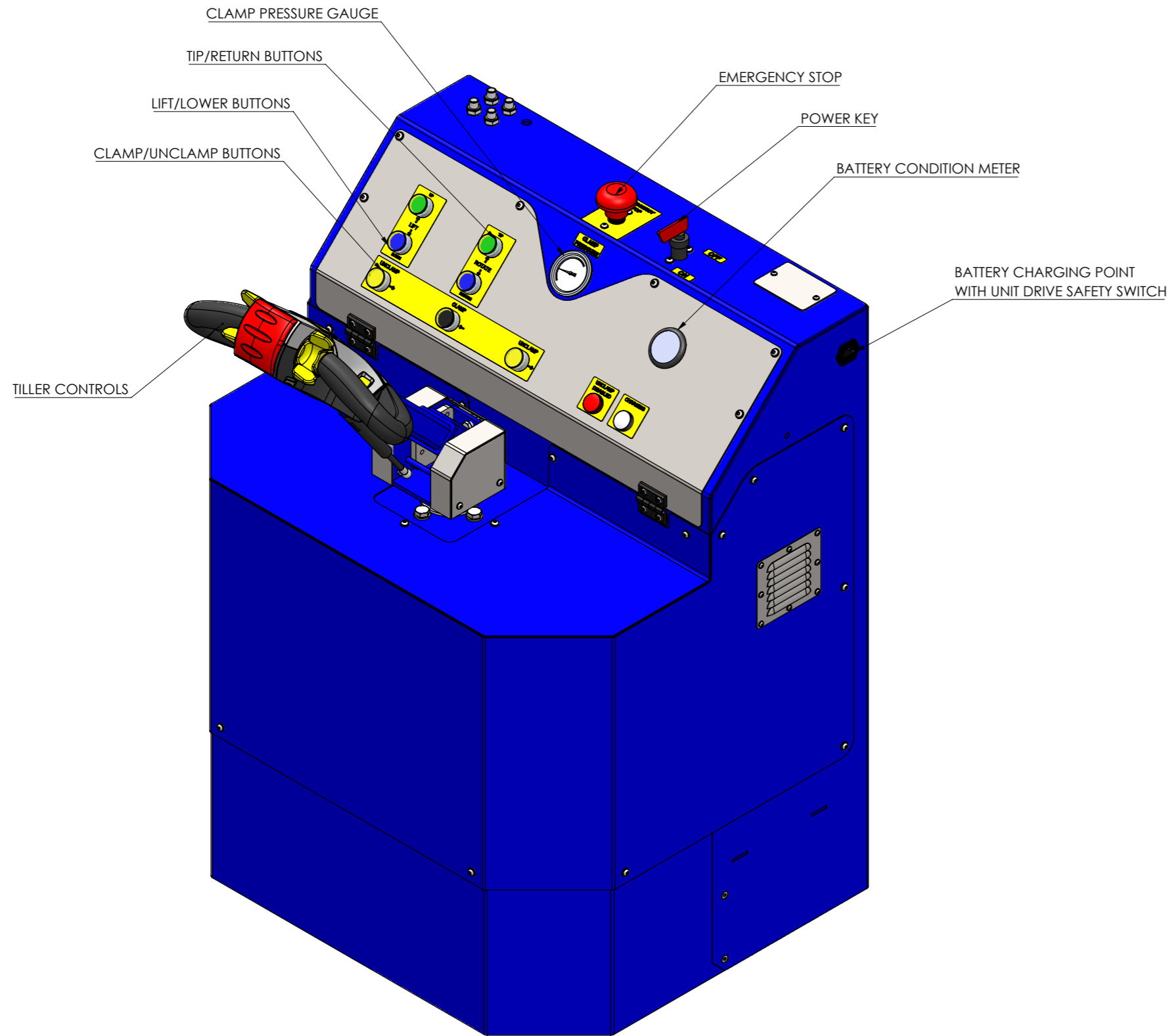
SIGNATURE:

DATE:

THIS DOCUMENT AND ALL THE INFORMATION CONTAINED HEREIN ARE CONFIDENTIAL AND EXCLUSIVE PROPERTY OF STS BESPOKE HANDLING EQUIPMENT AND MAY NOT BE REPRODUCED, USED, DISCLOSED OR MADE PUBLIC IN ANY MANNER PRIOR TO EXPRESS WRITTEN AUTHORIZATION BY STS BESPOKE HANDLING EQUIPMENT. THIS DOCUMENT IS ACCEPTED PURSUANT TO AGREEMENT TO THE FOREGOING, AND MUST BE RETURNED OR DESTROYED UPON DEMAND. MANUFACTURER AGREES THAT ARTICLES MADE IN ACCORDANCE WITH THIS DOCUMENT SHALL BE CONSIDERED STS BESPOKE HANDLING EQUIPMENT'S DESIGN AND THAT IDENTICAL ARTICLES OR PARTS THEREOF SHALL NOT BE MANUFACTURED FOR THE USE OR SALE BY THE MANUFACTURER OR ANY OTHER PERSON OR ENTITY WITHOUT PRIOR EXPRESS WRITTEN AUTHORIZATION BY STS BESPOKE HANDLING EQUIPMENT.

CATEGORY:	ASSEMBLY
MATERIAL SPEC:	
FINISH:	N/A
DESCRIPTION:	STE05-RRH01, POWERDRIVE STACKER WITH POWERED CLAMP AND 360 DEGREE ROTATE HEAD

SHEET NO:	3 OF 6	DRAWN BY:	JC
EST MASS:	512.77kg	CHECKED BY:	JC
SHEET SIZE:	A3	DATE CHK:	08/03/2021
PART NUMBER:	017808	REVISION:	A



ALL DIMENSIONS
 IN mm U.O.S
 DO NOT SCALE



BESPOKE HANDLING EQUIPMENT LTD
 LEEDSTOWN, CORNWALL, TR27 6DS
 TEL: +44 1736 85 10 50 FAX: +44 1736 85 10 23
 E-MAIL: SALES@STS-TROLLEYS.CO.UK
 WWW: HTTPS://WWW.STS-TROLLEYS.CO.UK

CUSTOMER APPROVAL:
 NAME:
 SIGNATURE:
 DATE:

THIS DOCUMENT AND ALL THE INFORMATION CONTAINED HEREIN ARE CONFIDENTIAL AND EXCLUSIVE PROPERTY OF STS BESPOKE HANDLING EQUIPMENT AND MAY NOT BE REPRODUCED, USED, DISCLOSED OR MADE PUBLIC IN ANY MANNER PRIOR TO EXPRESS WRITTEN AUTHORIZATION BY STS BESPOKE HANDLING EQUIPMENT.
 THIS DOCUMENT IS ACCEPTED PURSUANT TO AGREEMENT TO THE FOREGOING, AND MUST BE RETURNED OR DESTROYED UPON DEMAND.
 MANUFACTURER AGREES THAT ARTICLES MADE IN ACCORDANCE WITH THIS DOCUMENT SHALL BE CONSIDERED STS BESPOKE HANDLING EQUIPMENT'S DESIGN AND THAT IDENTICAL ARTICLES OR PARTS THEREOF SHALL NOT BE MANUFACTURED FOR THE USE OR SALE BY THE MANUFACTURER OR ANY OTHER PERSON OR ENTITY WITHOUT PRIOR EXPRESS WRITTEN AUTHORIZATION BY STS BESPOKE HANDLING EQUIPMENT.

CATEGORY: ASSEMBLY
 MATERIAL SPEC:
 FINISH: N/A

DESCRIPTION: STE05-RRH01, POWERDRIVE STACKER WITH POWERED CLAMP AND 360 DEGREE ROTATE HEAD

SHEET NO: 4 OF 6
 EST MASS: 512.77kg
 SHEET SIZE: A3

PART NUMBER: 017808

DRAWN BY: JC
 CHECKED BY: JC
 DATE CHK: 08/03/2021

REVISION: A