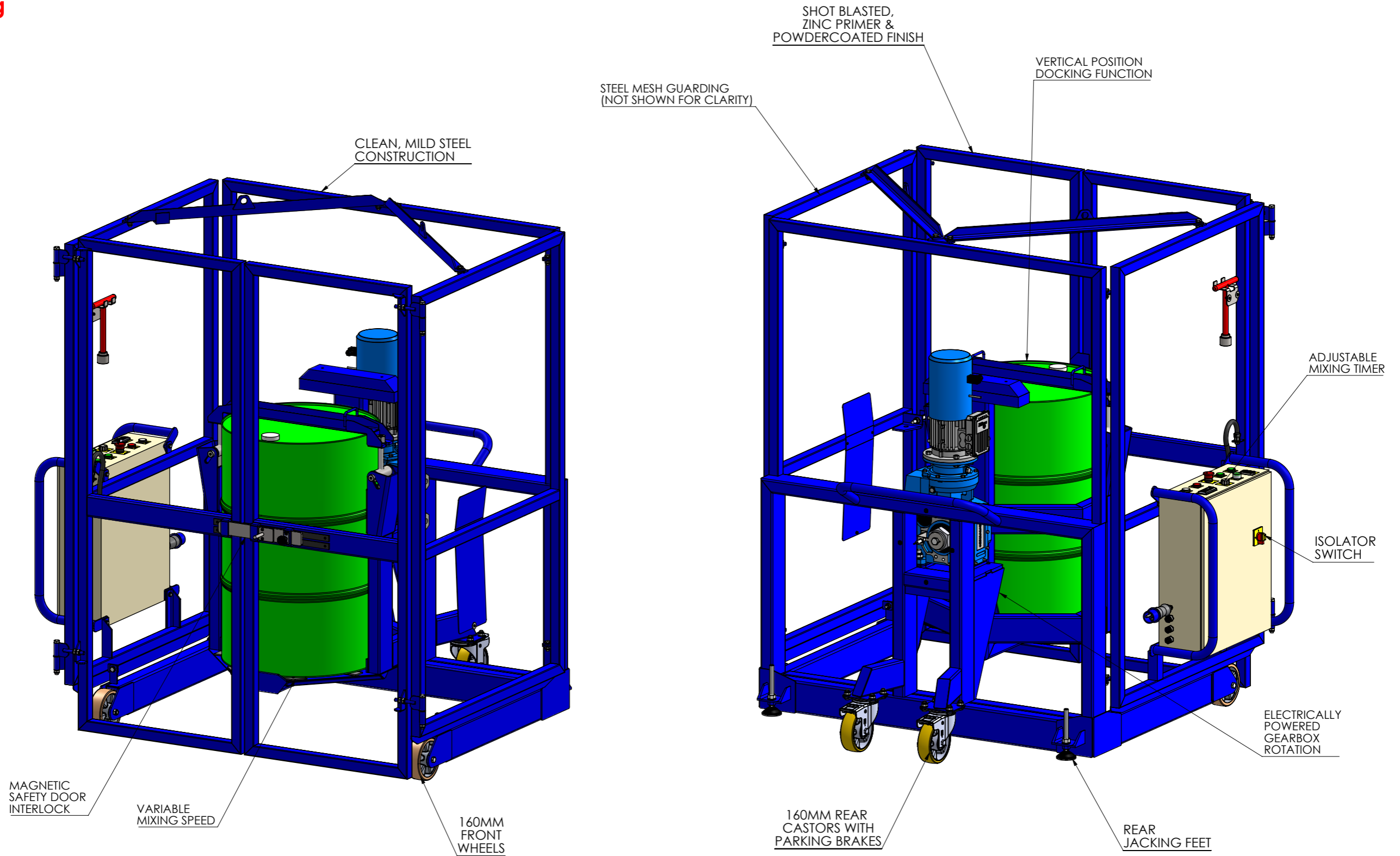



**DME01-230V-24RPM**  
**SWL - 300kg**




**TECRAM**  
 Route d'Yverdon 34 · CH-1373 Chavornay  
 +41 24 441 42 40 · info@tecram.ch · www.tecram.ch

THIRD ANGLE PROJECTION

ALL DIMENSIONS IN mm U.O.S.  
 DO NOT SCALE



BESPOKE HANDLING EQUIPMENT LTD  
 LEEDSTOWN, CORNWALL, TR27 6DS  
 TEL: +44 1736 85 10 50 FAX: +44 1736 85 10 23  
 E-MAIL: SALES@STS-TROLLEYS.CO.UK  
 WWW: HTTPS://WWW.STS-TROLLEYS.CO.UK

UNLESS OTHERWISE SPECIFIED THE FOLLOWING APPLY:  
 FABRICATED COMPONENTS DIMENSIONAL PRECISION

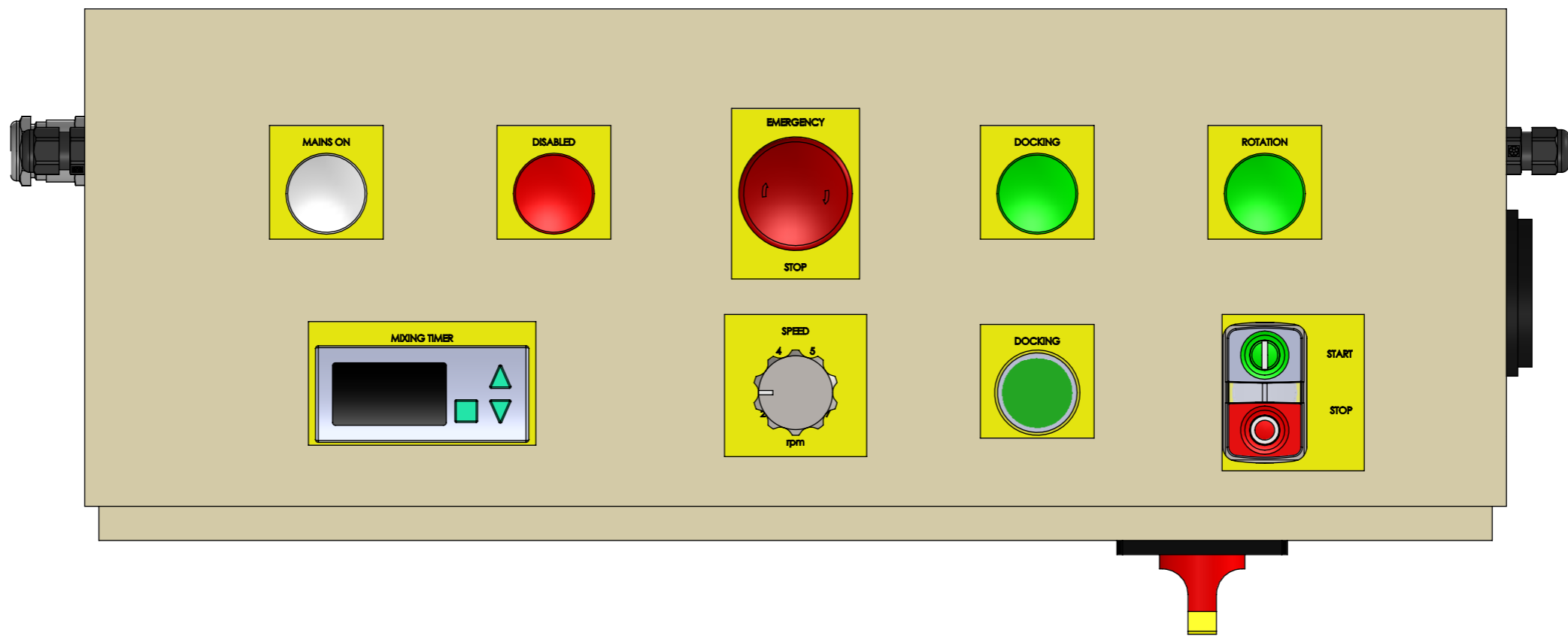
DECIMAL	METRIC	IMPERIAL	ANGLE	SIZE
0.1	±1.20mm	±0.05"	±0.50°	SIZE ≤ 1000MM
0.0	±0.80mm	±0.03"	±0.25°	SIZE ≤ 1000MM
0.1	±2.5mm	±0.10"	±0.50°	SIZE > 1000MM
0.0	±1.5mm	±0.06"	±0.25°	SIZE > 1000MM

STANDARD SURFACE FINISH RA 6.3MM [RA 250MIN]  
 BREAK ALL SHARP CORNERS AND EDGES, R 0.3mm MAX

THIS DOCUMENT AND ALL THE INFORMATION CONTAINED HEREIN ARE CONFIDENTIAL AND EXCLUSIVE PROPERTY OF STS BESPOKE HANDLING EQUIPMENT AND MAY NOT BE REPRODUCED, USED, DISCLOSED OR MADE PUBLIC IN ANY MANNER PRIOR TO EXPRESS WRITTEN AUTHORIZATION BY STS BESPOKE HANDLING EQUIPMENT.  
 THIS DOCUMENT IS ACCEPTED PURSUANT TO AGREEMENT TO THE FOREGOING, AND MUST BE RETURNED OR DESTROYED UPON DEMAND.  
 MANUFACTURER AGREES THAT ARTICLES MADE IN ACCORDANCE WITH THIS DOCUMENT SHALL BE CONSIDERED STS BESPOKE HANDLING EQUIPMENT'S DESIGN AND THAT IDENTICAL ARTICLES OR PARTS THEREOF SHALL NOT BE MANUFACTURED FOR THE USE OR SALE BY THE MANUFACTURER OR ANY OTHER PERSON OR ENTITY WITHOUT PRIOR EXPRESS WRITTEN AUTHORIZATION BY STS BESPOKE HANDLING EQUIPMENT.

CATEGORY:	ASSEMBLY
MATERIAL SPEC:	
FINISH:	N/A
DESCRIPTION:	ELECTRIC DRUM MIXER, W/ HELICAL BEVEL GEARBOX, 24RPM, DME01-230V-24RPM

SHEET NO:	1 OF 4	DRAWN BY:	JS
EST MASS:	0.00kg	CHECKED BY:	JS
SHEET SIZE:	A3	DATE CHK:	24/01/2020
PART NUMBER:	014754	REVISION:	A



### CONTROL PANEL LAYOUT

**TECRAM**  
 Route d'Yverdon 34 · CH-1373 Chavornay  
 +41 24 441 42 40 · info@tecram.ch · www.tecram.ch

THIRD ANGLE PROJECTION

ALL DIMENSIONS IN mm U.O.S  
DO NOT SCALE

**STN**  
 BESPOKE HANDLING EQUIPMENT LTD  
 LEEDSTOWN, CORNWALL, TR27 6DS  
 TEL: +44 1736 85 10 50 FAX: +44 1736 85 10 23  
 E-MAIL: SALES@STS-TROLLEYS.CO.UK  
 WWW: HTTPS://WWW.STS-TROLLEYS.CO.UK

UNLESS OTHERWISE SPECIFIED THE FOLLOWING APPLY:  
 FABRICATED COMPONENTS DIMENSIONAL PRECISION

DECIMAL	METRIC	IMPERIAL	ANGLE
0.0	±1.20mm	±0.05"	±0.50°
0.0	±0.80mm	±0.03"	±0.25°
0.0	±2.5mm	±0.10"	±0.50°
0.0	±1.5mm	±0.06"	±0.25°

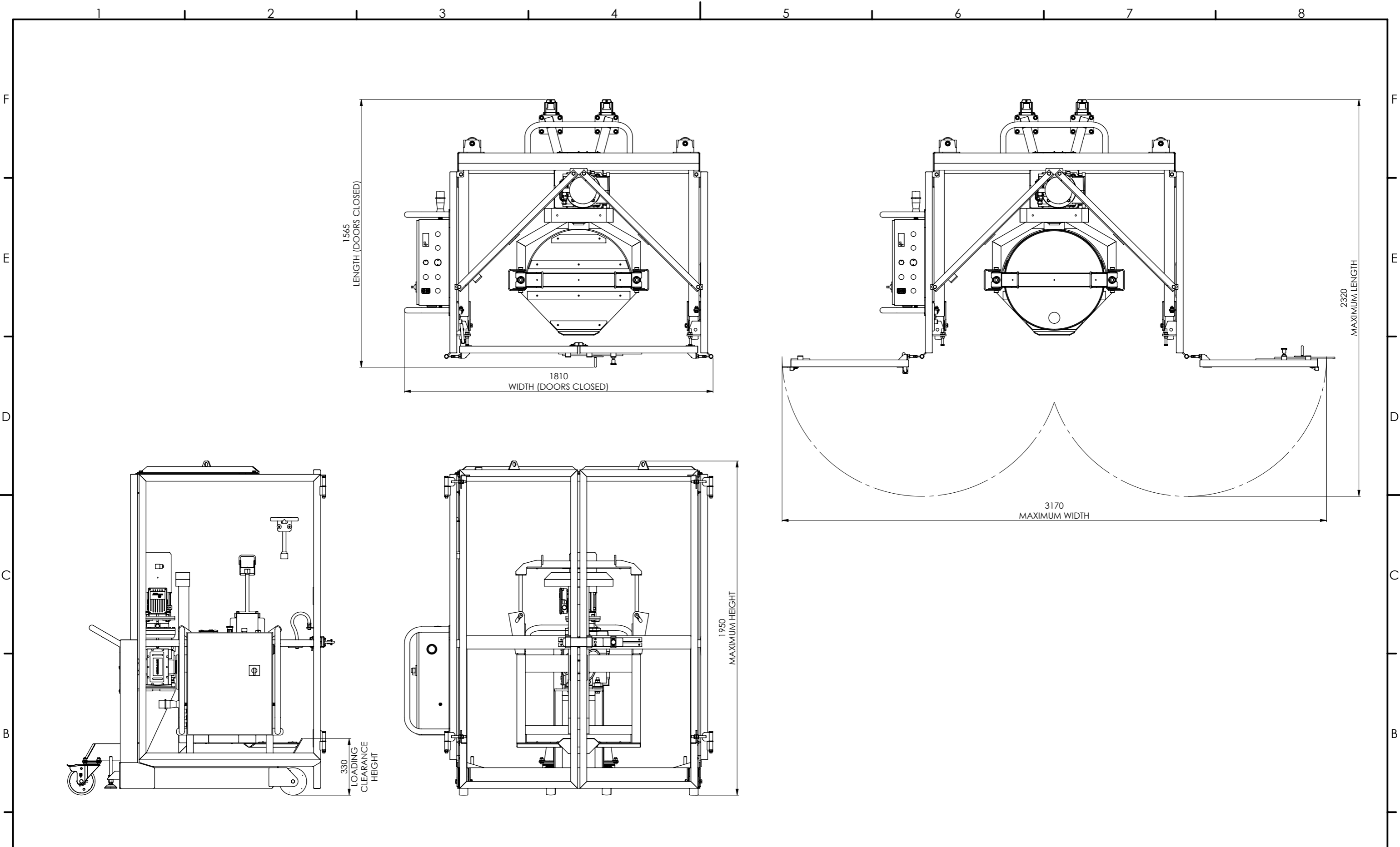
SIZE ≤ 1000MM  
 SIZE ≤ 1000MM  
 SIZE > 1000MM  
 SIZE > 1000MM

STANDARD SURFACE FINISH RA 63MM [RA 250MIN]  
 BREAK ALL SHARP CORNERS AND EDGES, R 0.3mm MAX

THIS DOCUMENT AND ALL THE INFORMATION CONTAINED HEREIN ARE CONFIDENTIAL AND EXCLUSIVE PROPERTY OF STS BESPOKE HANDLING EQUIPMENT AND MAY NOT BE REPRODUCED, USED, DISCLOSED OR MADE PUBLIC IN ANY MANNER PRIOR TO EXPRESS WRITTEN AUTHORIZATION BY STS BESPOKE HANDLING EQUIPMENT.  
 THIS DOCUMENT IS ACCEPTED PURSUANT TO AGREEMENT TO THE FOREGOING, AND MUST BE RETURNED OR DESTROYED UPON DEMAND.  
 MANUFACTURER AGREES THAT ARTICLES MADE IN ACCORDANCE WITH THIS DOCUMENT SHALL BE CONSIDERED STS BESPOKE HANDLING EQUIPMENT'S DESIGN AND THAT IDENTICAL ARTICLES OR PARTS THEREOF SHALL NOT BE MANUFACTURED FOR THE USE OR SALE BY THE MANUFACTURER OR ANY OTHER PERSON OR ENTITY WITHOUT PRIOR EXPRESS WRITTEN AUTHORIZATION BY STS BESPOKE HANDLING EQUIPMENT.

CATEGORY:	ASSEMBLY
MATERIAL SPEC:	
FINISH:	N/A
DESCRIPTION:	ELECTRIC DRUM MIXER, W/ HELICAL BEVEL GEARBOX, 24RPM, DME01-230V-24RPM

SHEET NO:	2 OF 4	DRAWN BY:	JS
EST MASS:	0.00kg	CHECKED BY:	JS
SHEET SIZE:	A3	DATE CHK:	24/01/2020
PART NUMBER:	014754	REVISION:	A




**TECRAM**  
 Route d'Yverdon 34 · CH-1373 Chavornay  
 +41 24 441 42 40 · info@tecram.ch · www.tecram.ch

THIRD ANGLE PROJECTION

ALL DIMENSIONS IN mm U.O.S.  
DO NOT SCALE



BESPOKE HANDLING EQUIPMENT LTD  
 LEEDSTOWN, CORNWALL, TR27 6DS  
 TEL: +44 1736 85 10 50 FAX: +44 1736 85 10 23  
 E-MAIL: SALES@STS-TROLLEYS.CO.UK  
 WWW: HTTPS://WWW.STS-TROLLEYS.CO.UK

UNLESS OTHERWISE SPECIFIED THE FOLLOWING APPLY:  
 FABRICATED COMPONENTS DIMENSIONAL PRECISION  
 DECIMAL METRIC IMPERIAL ANGLE  
 0.0 ±1.20mm ±0.05° ±0.50°  
 0.0 ±0.80mm ±0.03° ±0.25°  
 0.0 ±2.5mm ±0.10° ±0.50°  
 0.0 ±1.5mm ±0.06° ±0.25°  
 STANDARD SURFACE FINISH RA 63MM [RA 250MIN]  
 BREAK ALL SHARP CORNERS AND EDGES, R 0.3mm MAX

THIS DOCUMENT AND ALL THE INFORMATION CONTAINED HEREIN ARE CONFIDENTIAL AND EXCLUSIVE PROPERTY OF STS BESPOKE HANDLING EQUIPMENT AND MAY NOT BE REPRODUCED, USED, DISCLOSED OR MADE PUBLIC IN ANY MANNER PRIOR TO EXPRESS WRITTEN AUTHORIZATION BY STS BESPOKE HANDLING EQUIPMENT.  
 THIS DOCUMENT IS ACCEPTED PURSUANT TO AGREEMENT TO THE FOREGOING, AND MUST BE RETURNED OR DESTROYED UPON DEMAND.  
 MANUFACTURER AGREES THAT ARTICLES MADE IN ACCORDANCE WITH THIS DOCUMENT SHALL BE CONSIDERED STS BESPOKE HANDLING EQUIPMENT'S DESIGN AND THAT IDENTICAL ARTICLES OR PARTS THEREOF SHALL NOT BE MANUFACTURED FOR THE USE OR SALE BY THE MANUFACTURER OR ANY OTHER PERSON OR ENTITY WITHOUT PRIOR EXPRESS WRITTEN AUTHORIZATION BY STS BESPOKE HANDLING EQUIPMENT.

CATEGORY:	ASSEMBLY
MATERIAL SPEC:	
FINISH:	N/A
DESCRIPTION:	ELECTRIC DRUM MIXER, W/ HELICAL BEVEL GEARBOX, 24RPM, DME01-230V-24RPM

SHEET NO:	3 OF 4	DRAWN BY:	JS
EST MASS:	0.00kg	CHECKED BY:	JS
SHEET SIZE:	A3	DATE CHK:	24/01/2020
PART NUMBER:	014754	REVISION:	A